



# USER MANUAL

# SUMMARY

About this guide .....	3
Symbols and Warnings.....	4
Terms of Use .....	4
Astm Classification.....	5
Angle Adjust Headset.....	7
Saddle Clearance .....	10
Setting Rear Suspension .....	11
Tightening Torque.....	15
Maintenance of Your Scor 2030 Frame.....	16
Compliance .....	17
Technical Information & Compatibility.....	18
Scor 2030 Geometry.....	20
For the Nerds .....	22
Spare Parts .....	24
Warranty Terms and Conditions.....	26



## ABOUT THIS GUIDE

This guide has been created to ensure the safe and proper handling of your SCOR 2030 bike / frameset, so we recommend reading it carefully. The following instructions might require specific technical knowledge and skills. If you have any questions after reading this guide, please do not hesitate to contact us.

We kindly invite **all riders** to read at least the chapter “terms of use” found in this guide.

SCOR will not be responsible for any loss or damage of any kind incurred as a result of failure to comply with the instructions specified in this guide.

You have chosen a SCOR bike/frameset, Thank you for trusting us. Our frames are manufactured with great care. We use superior design, testing, manufacturing processes and technologies to deliver riders the best possible equipment.

The assembly of your SCOR requires some special tools and skills. We recommend that you consult an expert mechanic in case of a doubt.

We hope that you will enjoy your SCOR 2030 as much as we did enjoy creating it.



## SYMBOLS AND WARNINGS

This guide contains different symbols that have different meanings. Most of them are meant to raise your attention to some aspects you should consider.

**NOTE:** This symbol indicates information that you should consider with great care



**CAUTION:** This symbol is a warning for you to consider with great care. Ignoring this information can lead to damaging your frame and running a risk of injury and/or death.



**TIPS:** This symbol indicates very helpful but not mandatory instructions and advises. Following them will make your experience with SCOR even more enjoyable



## TERMS OF USE

Please consider and understand the intended use of this frameset / bike. Improper use can lead to injury and/or death.



**Improper use of the bike / frameset, not following this guide's instruction will void the warranty.**



The SCOR 2030 bike / Frameset is designed for a maximum total system weight of 120 kg. System weight refers to: bike + rider fully kitted + cargo = total system weight.



## ASTM CLASSIFICATION

The following information refers to the voluntary regulation ASTM F2043-13 from the ASTM international.



This indication establishes the conditions of use only of the SCOR 2030 frame. The SCOR 2030 frame is classified in category 4.

This is a set of conditions for operation of a bicycle that includes Conditions 1, 2, and 3, or downhill grades on rough trails at speeds less than 40 km/h (25 mph), or both. Jumps are intended to be less than 122cm (48").

However, the use of a bike / frame under those conditions depend largely on the rider skills.



**This frame, like every equipment, is not indestructible and has to be used with care. Abusive use will lead to potential failure, injury and/or death.**

## ASTM chart :

### LEVEL 1

This is a set of conditions for the operation of a bicycle on a regular paved surface where the tires are intended to maintain ground contact.

### LEVEL 2

This is a set of conditions for the operation of a bicycle that includes Condition 1 as well as unpaved and gravel roads and trails with moderate grades. In this set of conditions, contact with irregular terrain and loss of tire contact with the ground may occur. Drops are intended to be limited to 15cm (6") or less.

### LEVEL 3

This is a set of conditions for operation of a bicycle that includes Condition 1 and Condition 2 as well as rough trails, rough unpaved roads, and rough terrain and unimproved trails that require technical skills. Jumps and drops are intended to be less than 61cm (24").

### LEVEL 4

This is a set of conditions for operation of a bicycle that includes Conditions 1, 2, and 3, or downhill grades on rough trails at speeds less than 40 km/h (25 mph), or both. Jumps are intended to be less than 122cm (48").

### LEVEL 5

This is a set of conditions for operation of a bicycle that includes Conditions 1, 2, 3, and 4; extreme jumping; or downhill grades on rough trails at speeds in excess of 40 km/h (25 mph); or a combination thereof.



## ANGLE ADJUST HEADSET

Your SCOR 2030 is specified with a special headset which offers angle adjustment. The bike is shipped in the slack setting. If you wish to alter head tube angle, please see **Fig. 1** for the full assembly overview. Then pick you desired head angle and press the cups accordingly as shown in **Fig. 2+3** .



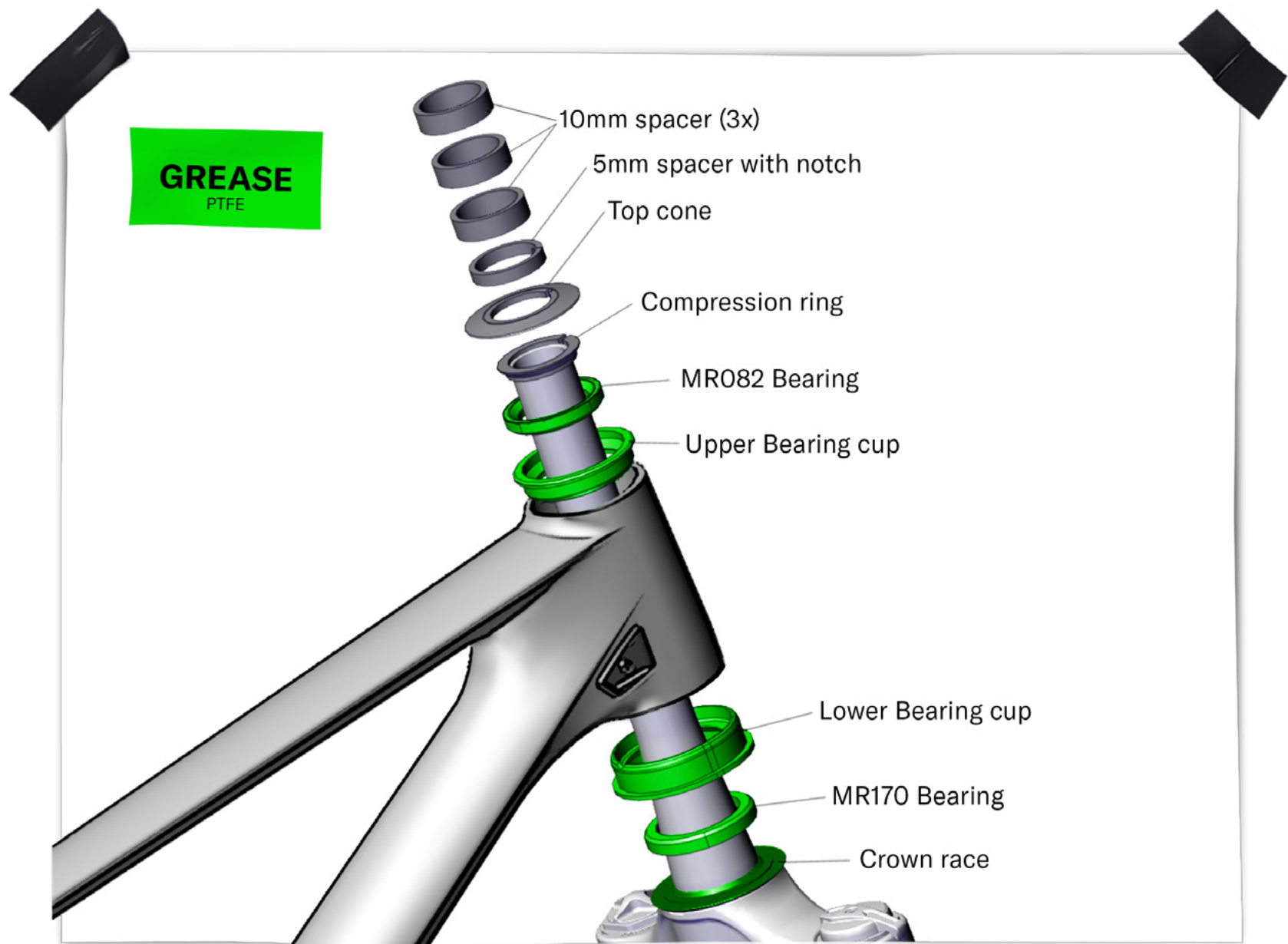
**The lower cup is not round but slightly oval. This should help with cup/frame alignment, but you should be careful to start pressing in the correct position or you may damage your frame permanently.**



**The adjustment of the head angle also slightly affects other geometry values. To understand and see what you're getting, please refer to the geometry chart.**



Fig. 1 – Angle adjust headset



**Fig. 2 – Slacker head angle setup**

Long Travel setting: Notch facing forward





**Fig. 3 – Steeper head angle setup**

Short Travel setting: Notch facing backward



## ⚠️ SADDLE CLEARANCE ⚠️

Please make sure that you have 25mm of clearance between the saddle and the rear tire when the suspension is fully compressed, as shown in **Fig. 4**. If this clearance is not respected, rear tire / saddle contact can lead to damaging the aforementioned components. Not respecting this mandatory clearance will disqualify any warranty claim about damage.

**Fig.4 – saddle clearance at full compression**



## **SETTING REAR SUSPENSION**

The SCOR 2030 has been designed for optimal suspension performance with 28/30% SAG at the rear shock. Since the frame can accept either 47,5mm or 52,5mm stroke shocks, please make sure you adjust your suspension accordingly before using it.



The SCOR 2030 is available only with a 47,5mm stroke shock, which delivers 120mm or rear wheel travel. If you wish to extend rear wheel travel to 130mm, you will need to have your shock stroke modified by a certified professional suspension workshop, or swap the original 47,5mm stroke shock with a 52,5mm stroke version.

For your information, SAG values are the following (measured on the shock):

<b>Shock stroke</b>	<b>28% SAG</b>	<b>30% SAG</b>
47.5mm	13,3mm	14,25mm
52.5mm	14,7mm	15,75mm



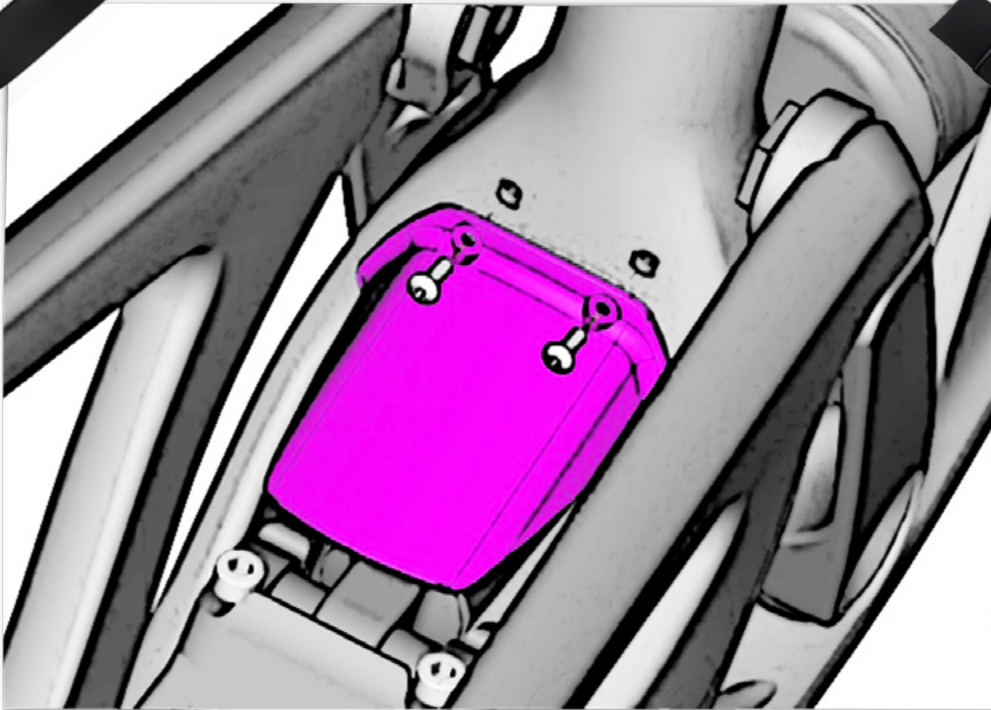
For more information on shock settings and maintenance, please refer to the shock manufacturer's manual.

**When working on your SCOR 2030, removing and installing the rear shock requires a specific sequence. To ensure a smooth procedure, please follow these steps. It is recommended to use a proper bicycle workstand for this process.**

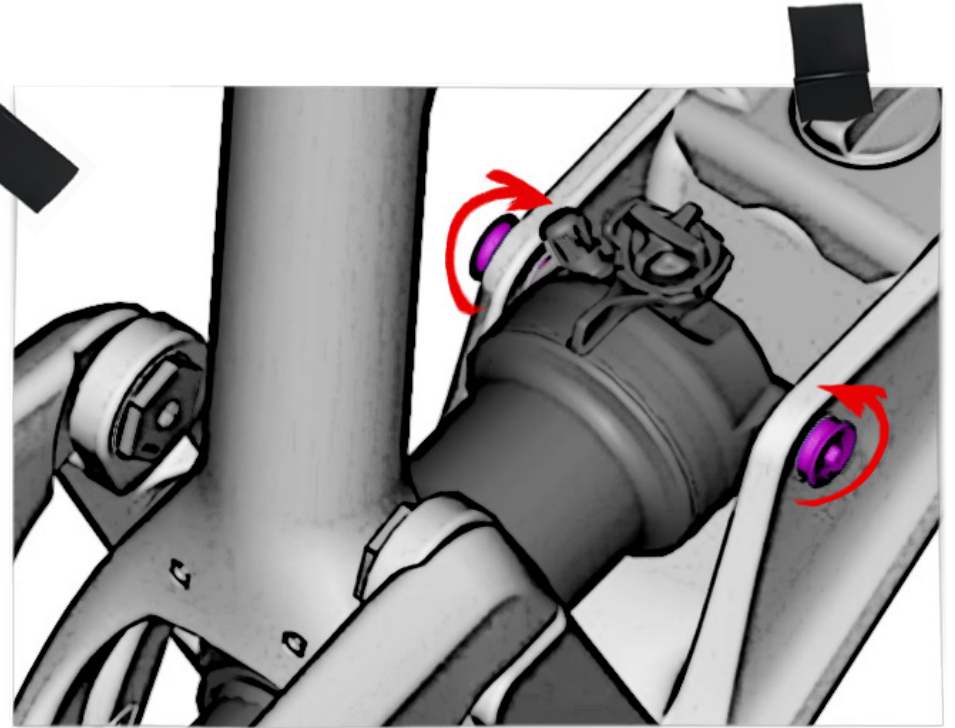


## REMOVING AND INSTALLING THE REAR SHOCK

1. Remove the rear wheel from bike.



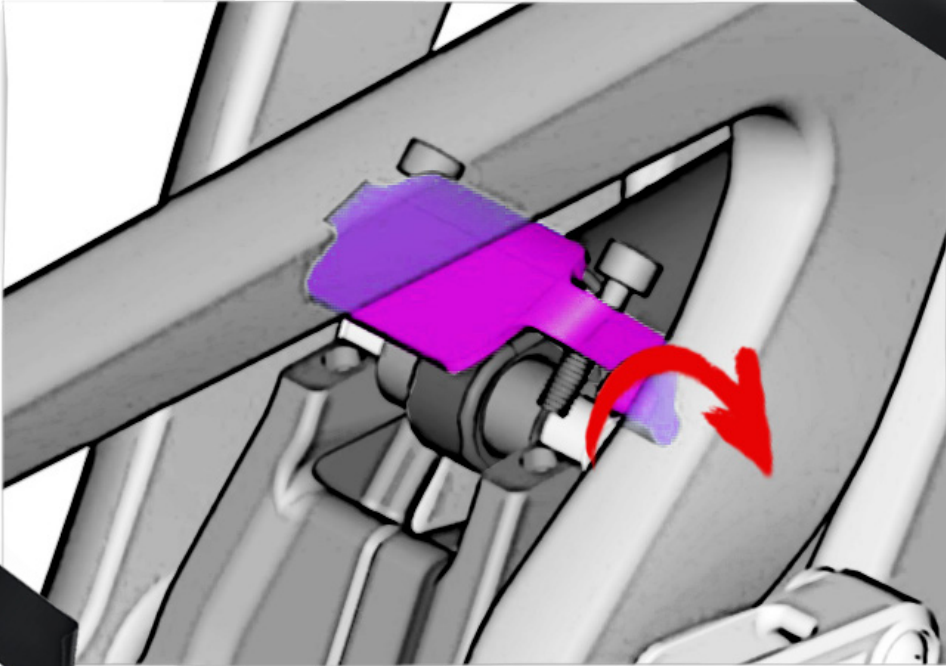
2. Remove the shock fender (Torx T10)



3. Loosen shock trunnion mount bolts about two turns but leave them installed.

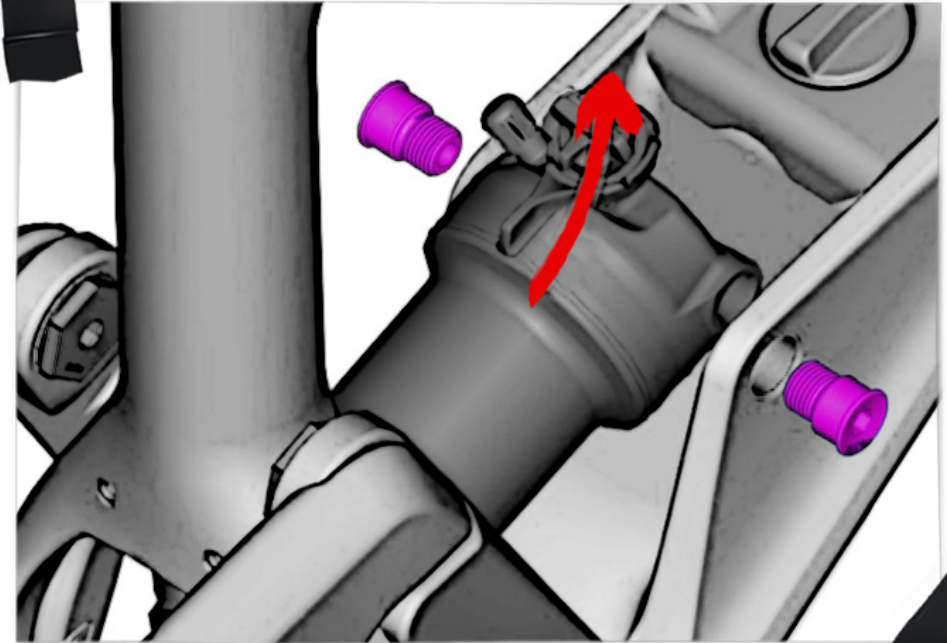


## REMOVING AND INSTALLING THE REAR SHOCK



4. Loosen the two 4mm Allen bolts until the upper shock cradle half shell is free to be removed. The bolts are captive and will stay together with the half shell.

Release the half shell by freeing it up from the forward interlock mechanism.



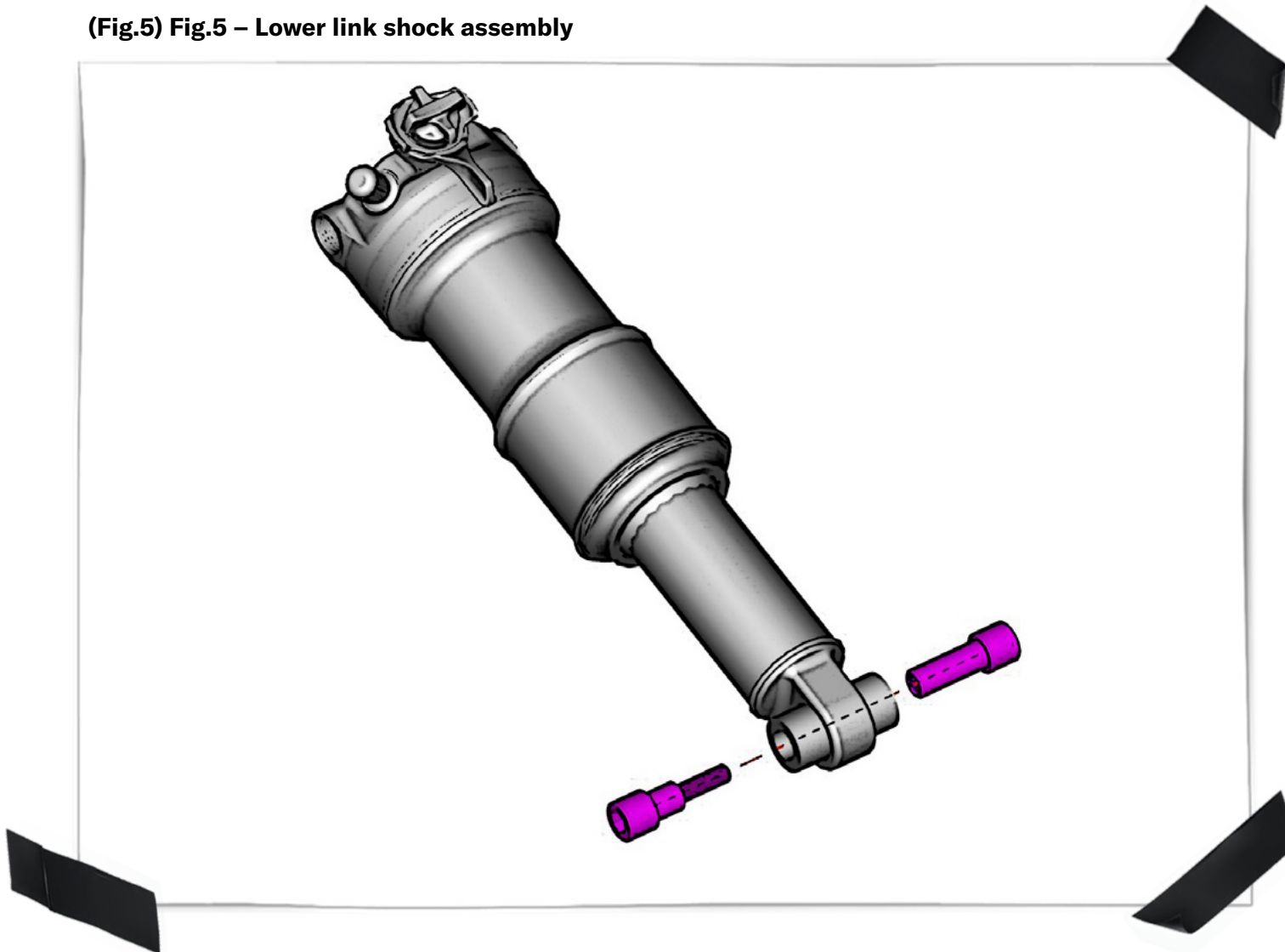
5. Remove trunnion mount bolts and pull to remove the shock.





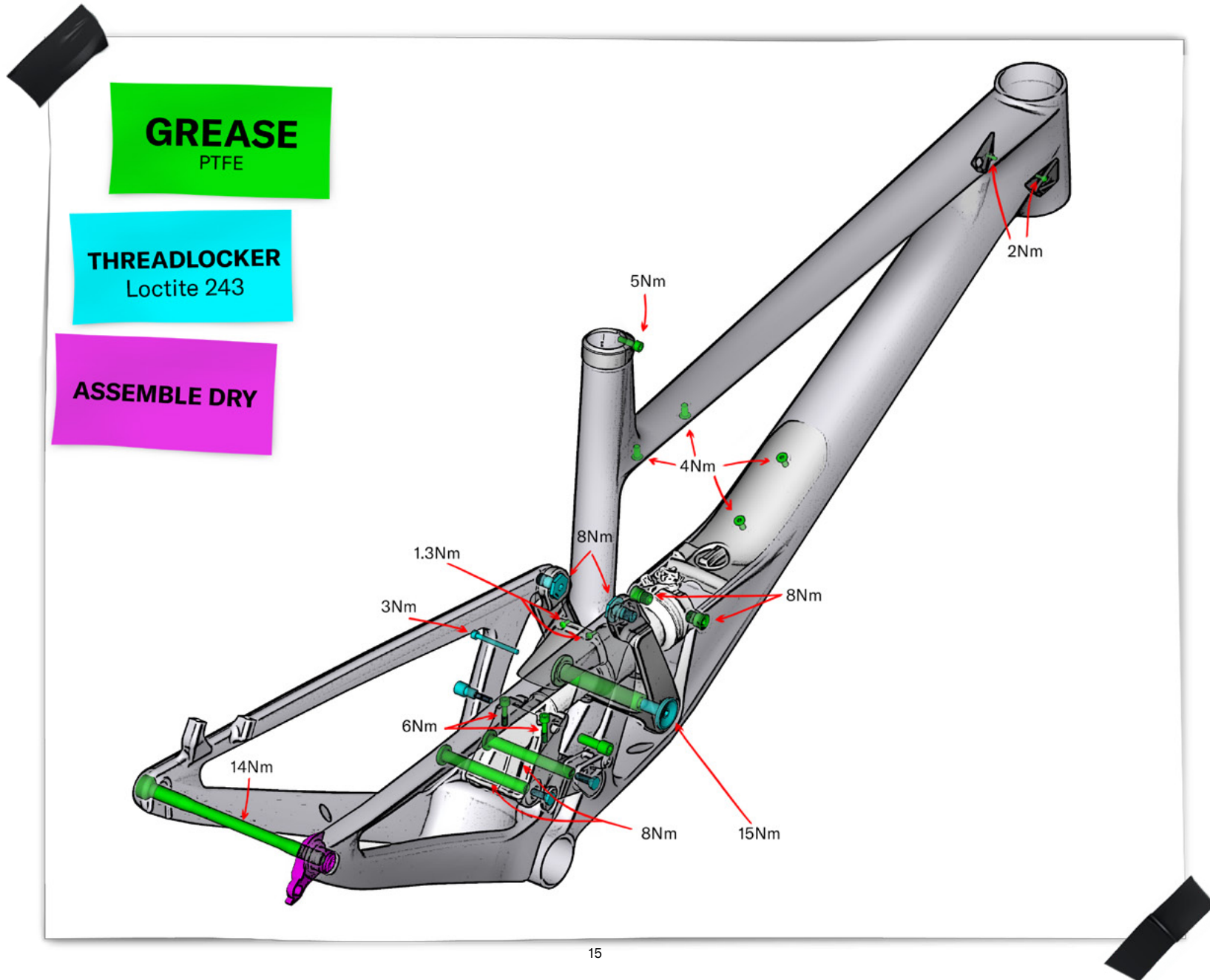
There is a 2-bolt axle system installed on the body shock eyelet (**Fig.5**), it can be loosened with 5&6mm Allen wrenches. Please do not exceed 4Nm of torque when reinstalling it. Reinstalling the shock follows the same sequence but reversed.

**(Fig.5) Fig.5 – Lower link shock assembly**



# ⚠ TIGHTENING TORQUE ⚠

All frame bolts must be tightened with a properly calibrated torque wrench. Please refer to the technical manual for torque values.



## MAINTENANCE OF YOUR SCOR 2030 FRAMESET / BIKE



Keep your bike clean. For the best ride experience and long-lasting performance, your bike should be clean. Use water with mild soap to carefully wash your bike, and while you are at it you can check for any damage to the frame or components.



### **Pressure washing**

Please avoid cleaning your bike with a pressure washer. Using a pressure washer to clean your bike will push water and dirt in areas where it's difficult to drain/dry naturally. The extensive use of pressure washer will lead to premature wear of the suspension bearing, pivot axles and the frame itself. The abuse of pressure washer will void the warranty.



### **Solvents and cleaning agents**

Please refrain from using solvents or cleaning agents other than mild soap. The use of aggressive products can result in permanent damage to the frame finish.



Keep your bike lubed. Once your bike is clean, you should check and add appropriate lubrication to the following parts of your bike:

- Thru -axle: slight layer of PTFE based grease on the axle and threads
- Chain: a few drops of bicycle specific chain lube will keep your drivetrain running smooth.



Do not use conventional grease inside the seat tube of your SCOR carbon frame. This area needs carbon assembly paste which is supplied with your frame (check the small parts box). Using conventional grease in the seat tube can lead to permanent seat post slippage.



Inspect your frame regularly, at least once every month. Look for anything that would compromise the operation of the frame like dents, cracks, bumps or loose bolts and/or components. The frame must not be used if anything preventing perfect operation is found, and this must remain the case until the appropriate repair or component replacement has been conducted. If you ride more than 3 times per week, and/or in adverse conditions such as rain/mud/snow, you should inspect your frame weekly as some parts may wear at a faster pace. In general, the components of a bike will wear at a different pace, depending on usage, weather, materials and maintenance cycles.







If you notice surface cracking, paint damage, abnormal surface scratches, or a change in color, please stop riding your frame and contact SCOR for advice on a potential solution approved by SCOR.

After an impact or heavy crash, inspect your frame after ensuring your own safety. Look for surface cracking, paint damage, abnormal surface scratches, or a change in color. If you find anything abnormal, refrain from riding your frame and reach out to SCOR for guidance on an approved solution.



### **Frame Modification**

Do not attempt to modify any structural part of your SCOR frame; keep it in the assembly you received. Any listed modifications will void the warranty and may result in potential injury or death:

- Frame sanding
- Frame drilling
- Frame filling
- Suspension linkage modifications
- Headset system modifications

## **COMPLIANCE**

SCOR frames comply with the following regulations :

- ISO4210
- EN14766 Mountain bikes
- EN14761 general purpose bicycles
- EN15194 Pedelec / e-bikes
- EPAC pedal assist electric bicycles



## TECHNICAL INFORMATION & COMPATIBILITY

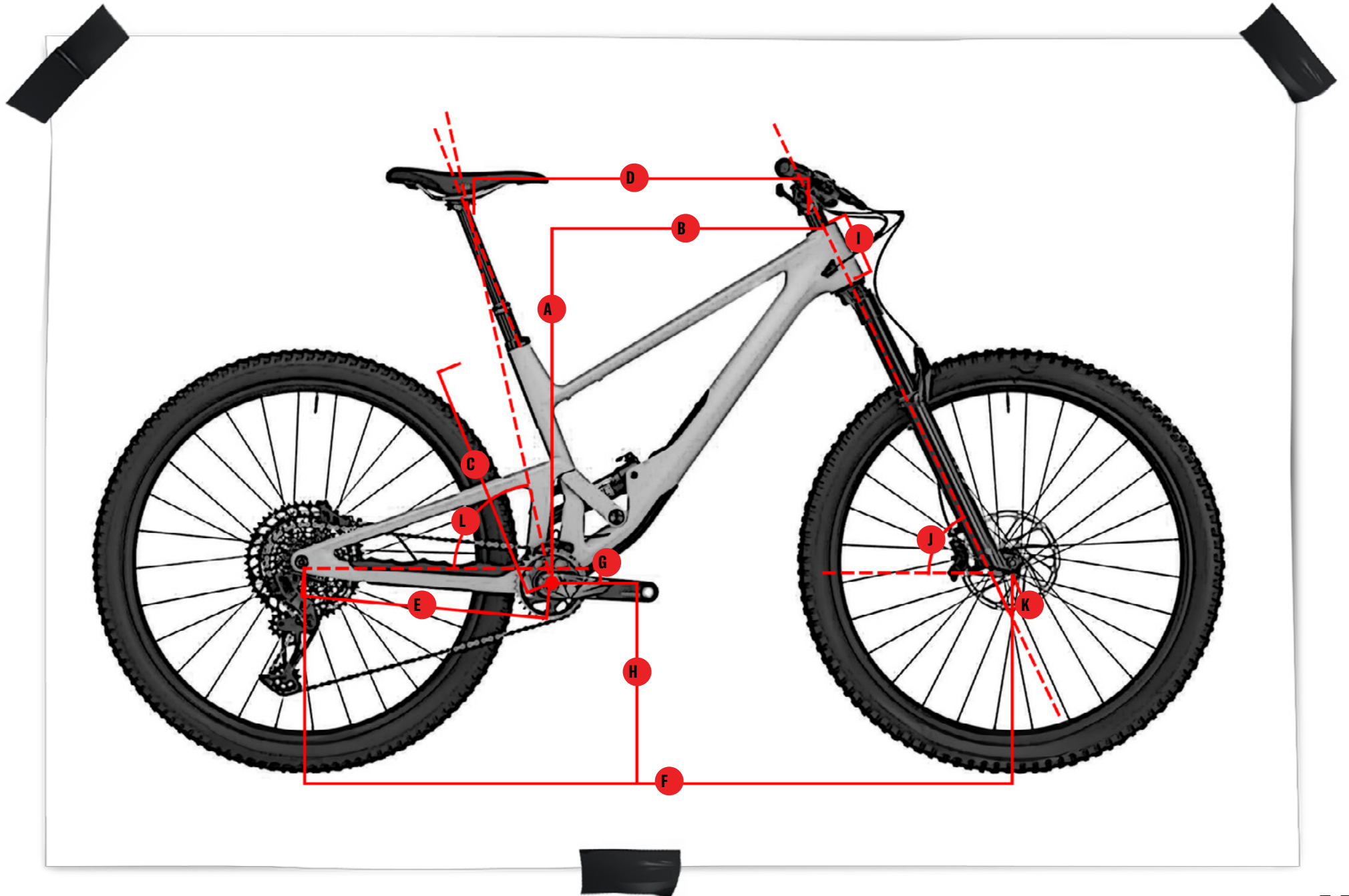
<b>SCOR 2030 technical specifications</b>	
Rear wheel spacing	148x12mm (Boost)
Thru axle length / diameter / thread pitch	181mm / 12mm / 1,0
Derailleur hanger	SRAM UDH
Seat post diameter	31,6mm
Seat clamp diameter	34,9mm
Headset type	Custom tapered / head angle adjust
Upper headset bearing	FSA - MR168 (34x46,8x7mm, 45°angle / 45° chamfer), Also known as: MR082, MH-P17, TH-970, 160-6738
Lower headset bearing	FSA - MR170 (40x52x7mm, 45°angle / 45° chamfer)
Recommended fork crown diameter	58mm
Recommended fork length (Axle to Crown)	552 -554mm
Max fork length / travel	140
Recommended fork offset	42/44mm
Bottom bracket	PF92
Chainguide	Proprietary top guide
Rear brake mount	Disc PM7 (post mount 180mm)
Chainline	55mm, compatible with 52mm by removing chain guide



Front derailleur mount	N/A
Shock eye-to-eye	185mm Trunnion mount
Shock stroke	47,5mm / 52,5mm possible
Shock hardware upper mount	Shaft: trunnion mount / body: 30x8mm
Shock upper mount bushings	SCOR proprietary, spare P/N : 30006307
Shock hardware lower eyelet	30x8mm / proprietary 2-Bolt axle system spare P/N : 30006310
Shock tune Rockshox Deluxe Ultimate	Reb. H Pro / Comp. L / Linear air can OL1
Shock tune Rockshox Deluxe Select +	Reb. Pro / Comp. L / Linear air can OL1
Shock tune Fox Float	CM002 / SCLRM5 / CMM / 0.8VS with MCU
Bottle cage mounts	1 + 1 accessory mounting point

<b>COMPATIBILITY</b>	
Max rear rotor size	203mm
Max rear tire size (widest point)	64mm width / 750mm diameter
Max chainring size	34 round / 32 oval
Max seatpost insertion	435: 205mm / 457: 235mm / 477: 240mm / 497: 250mm / 517: 295mm
Min seatpost insertion	435: 80mm / 457: 100mm / 477: 100mm / 497:100mm / 517: 100mm



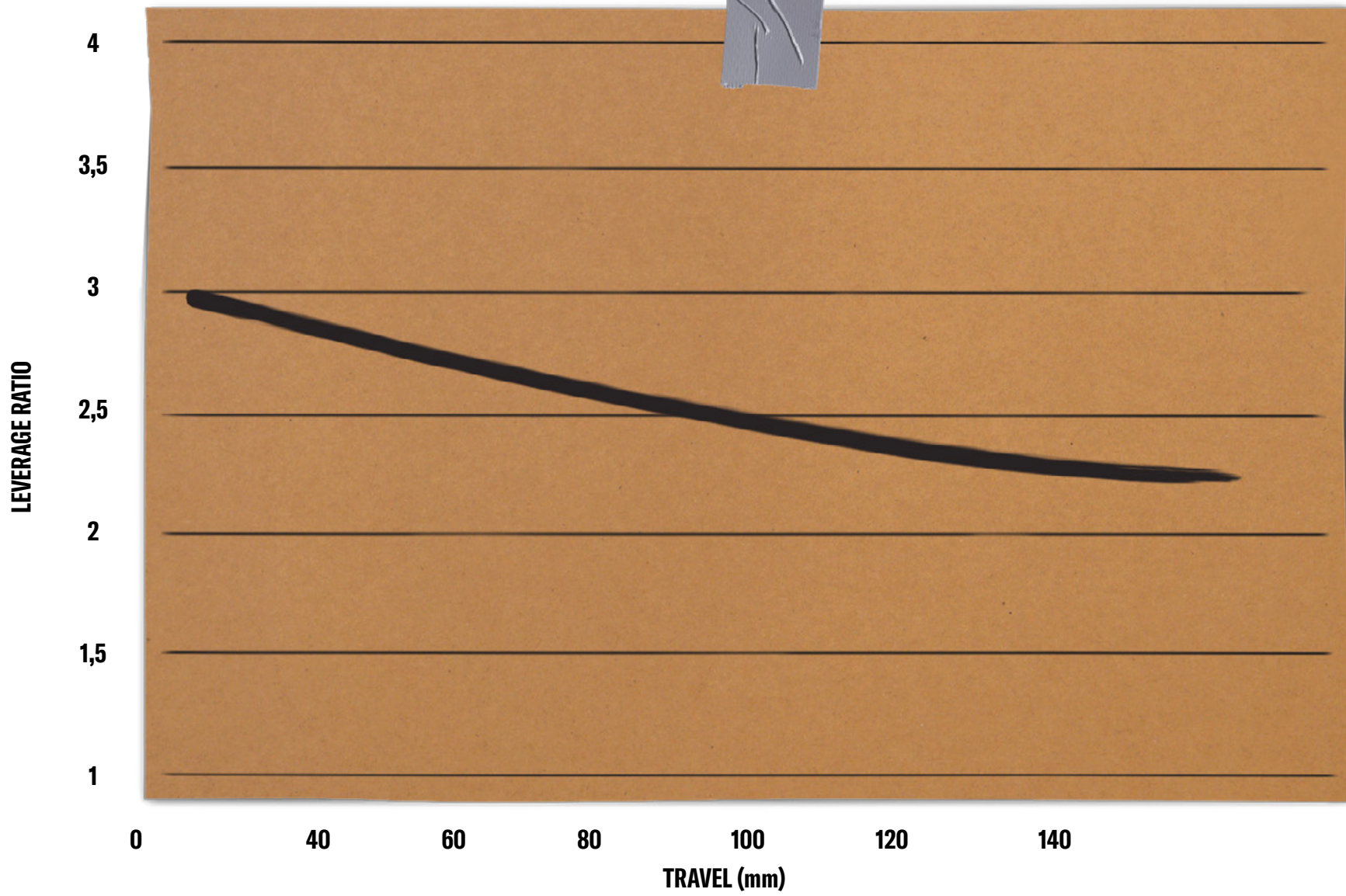


# SCOR 2030 GEOMETRY

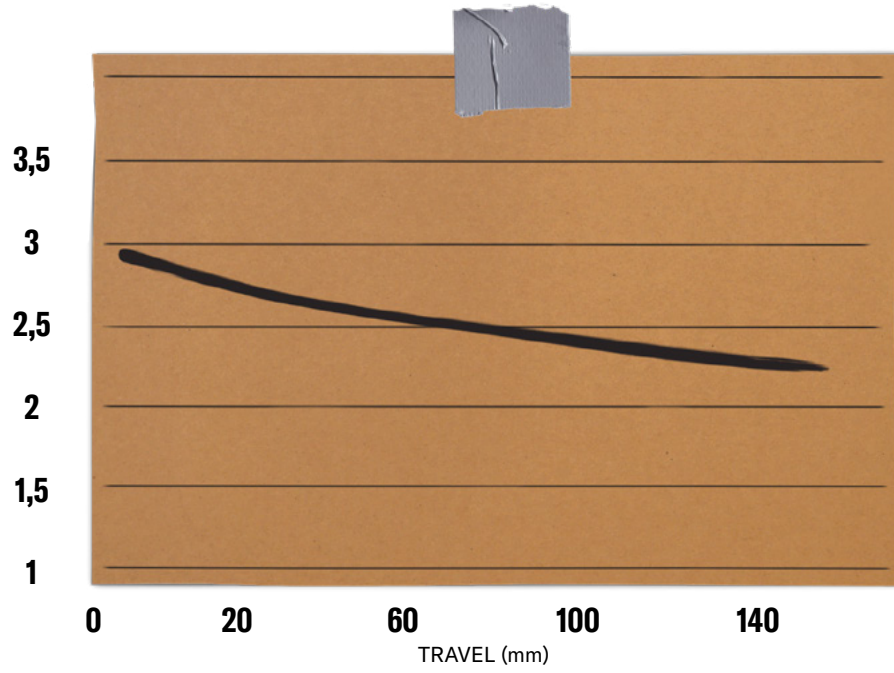
Size	S-435		M-457		ML-477		L-497		XL-517	
	Slack	Steep	Slack	Steep	Slack	Steep	Slack	Steep	Slack	Steep
HT setup										
<b>A.</b> Stack	600	603	610	613	617	620	626	629	637	640
<b>B.</b> Reach	435	432	457	454	477	474	497	494	517	514
<b>C.</b> Seat Tube lenght	400	400	425	425	440	440	470	470	470	470
<b>D.</b> Top Tube (virtual)	400	400	420	420	430	430	440	440	480	480
<b>E.</b> Chainstay	429	429	429	429	429	429	432	432	434	434
<b>F.</b> Wheelbase	1187	1167	1207	1190	1227	1214	1247	1238	1267	1263
<b>G.</b> BB drop	38	38	38	38	38	38	38	38	38	38
<b>H.</b> Estimated BB height	332	332	332	332	332	332	332	332	332	332
<b>I.</b> Head Tube	89	89	100	100	108	108	118	118	130	130
<b>J.</b> HT Angle	64,5	65,5	64,5	65,5	64,5	65,5	64,5	65,5	64,5	65,5
Fork Length	554	554	554	554	554	554	554	554	554	554
Front Center	750	737	776	763	800	787	824	811	849	836
<b>K.</b> Fork Rake	44	44	44	44	44	44	44	44	44	44
ST Angle SCOR (750mm saddle height)	76,5	76,6	76,3	76,3	76,3	76,3	76,3	76,3	76,3	76,3
ST Angle actual	68,7	68.3	68.7	68.3	6	68.6	69.6	69.2	70,1	69.7
<b>L.</b> ST Angle effective (industry standard)	77,75	77,75	77,6	77,6	77,7	77,7	77,8	77,8	77,9	77,9
Rear travel	120	130	120	130	120	130	120	130	120	130



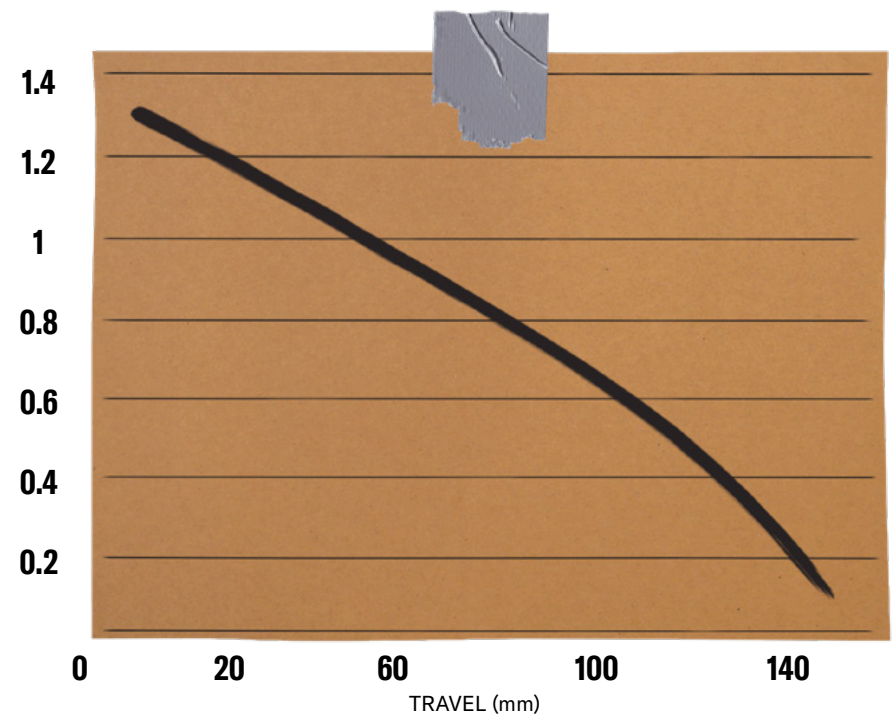
# NERDS SECTION



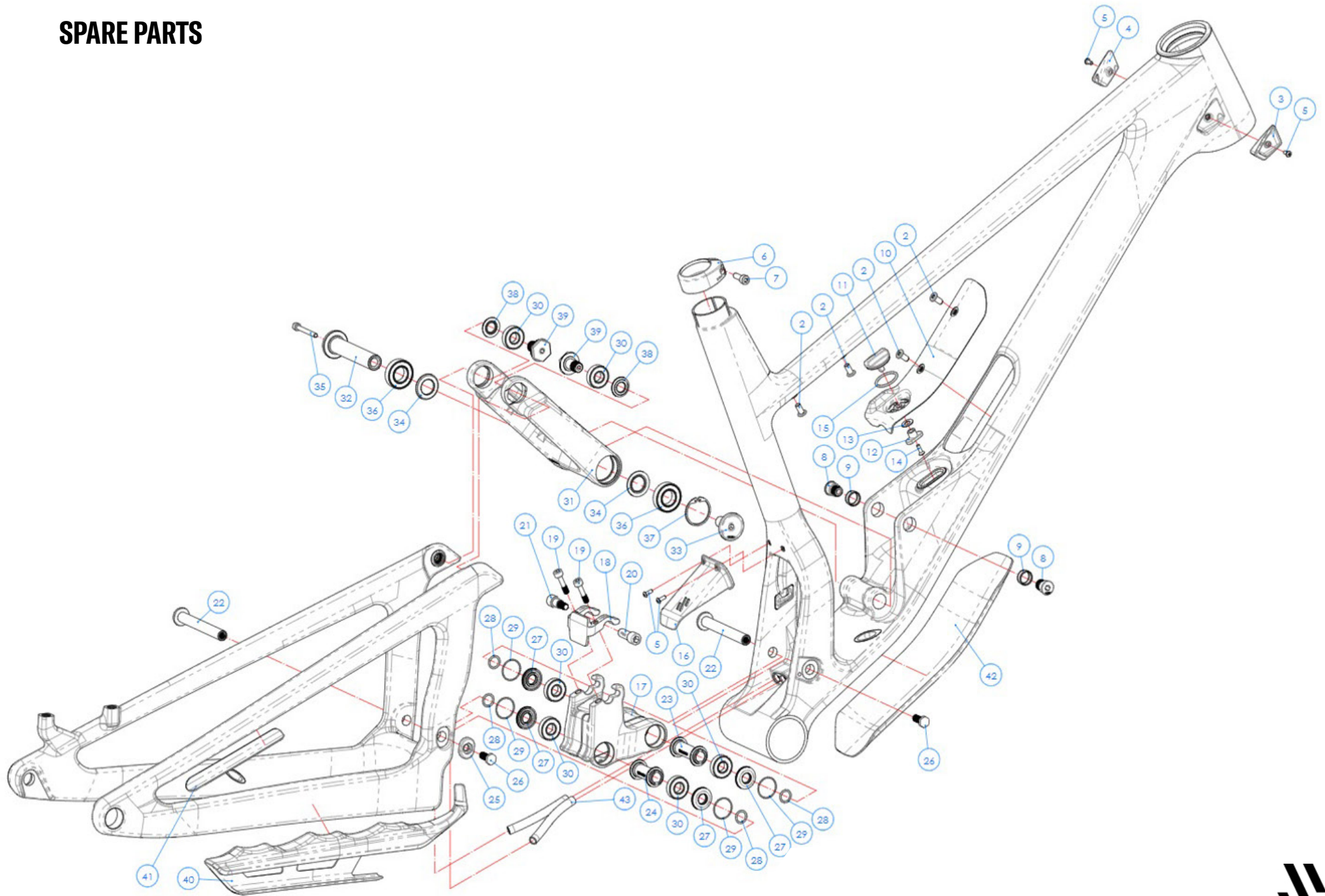
**LEVERAGE RATIO**



**ANTI-SQUAT**



# SPARE PARTS





## SPARE PARTS

NUMBER ON DRAWING	PART NUMBER	DESCRIPTION
3/ 4/ 5/ 43/ 44	30006305	SCOR Cable guide No. 40
6/ 7	30001739	SCOR Seatpost Clamp #28
-	30006308	SCOR HS-B-18-1 Bearings
-	30006303	SCOR HS-B-18-1 Hardware
8/ 9/ 20/ 21	30006310	SCOR Rear shock bolt set No.10
9	30006307	SCOR Rear Shock Bushings
2/ 10-15	30006312	SCOR Down Tube Storage Cover
-	30006168	SCOR Down Tube Storage Pouch
30/ 31/ 36/ 37	30006222	SCOR 2030 SEVRUGA TRIP Upper Linkage Kit
30/ 31/ 36/ 37	30006223	SCOR 2030 ICE BABY Upper Linkage Kit
30/ 31/ 36/ 37	30006221	SCOR 2030 NOT YELLOW Upper Linkage Kit
17-19/ 23/ 24/ 27-30	30006313	SCOR 2030 Lower Linkage Kit
30/ 36	30006304	SCOR Linkage Bearing Kit
32-35/ 37-39	30006311	SCOR 2030 Upper Linkage Axle Kit
22/ 25/ 26	30006309	SCOR 2030 Lower Linkage Axle Kit
40/ 41	30001745	SCOR Rear Triangle Protection Kit
42	30006314	SCOR Down Tube Protector
-	30006315	SCOR 2030 Chainguide
5/ 16	30006316	SCOR 2030 Shock Fender



## **WARRANTY & CRASH REPLACEMENT**

SCOR bikes are crafted to the highest standards, guaranteeing long-lasting fun on the trails. We stand by this commitment with our extended warranty coverage and a crash replacement program.

For more information, please refer to our warranty conditions at [www.scor-mtb.com/warranty](http://www.scor-mtb.com/warranty).

